

MECHLINE PRO CRANE™

VACUHAND PRO CRANE™



Easy to move / No installation /
Low maintenance



MOBI-Crane

LIFT-O-FLEX

movomech

Voyager

MECHLINE PRO CRANE™

Versatile articulated jib crane with integrated wire balancer

Mechline Pro Crane can be adapted to each individual workplace, with a reach out to 13 feet, and a height-adjustable floor pillar. Add a mobile platform and you can easily move Mechline Pro Crane between different workstations – a simple manual pallet truck will suffice!

Gives you:

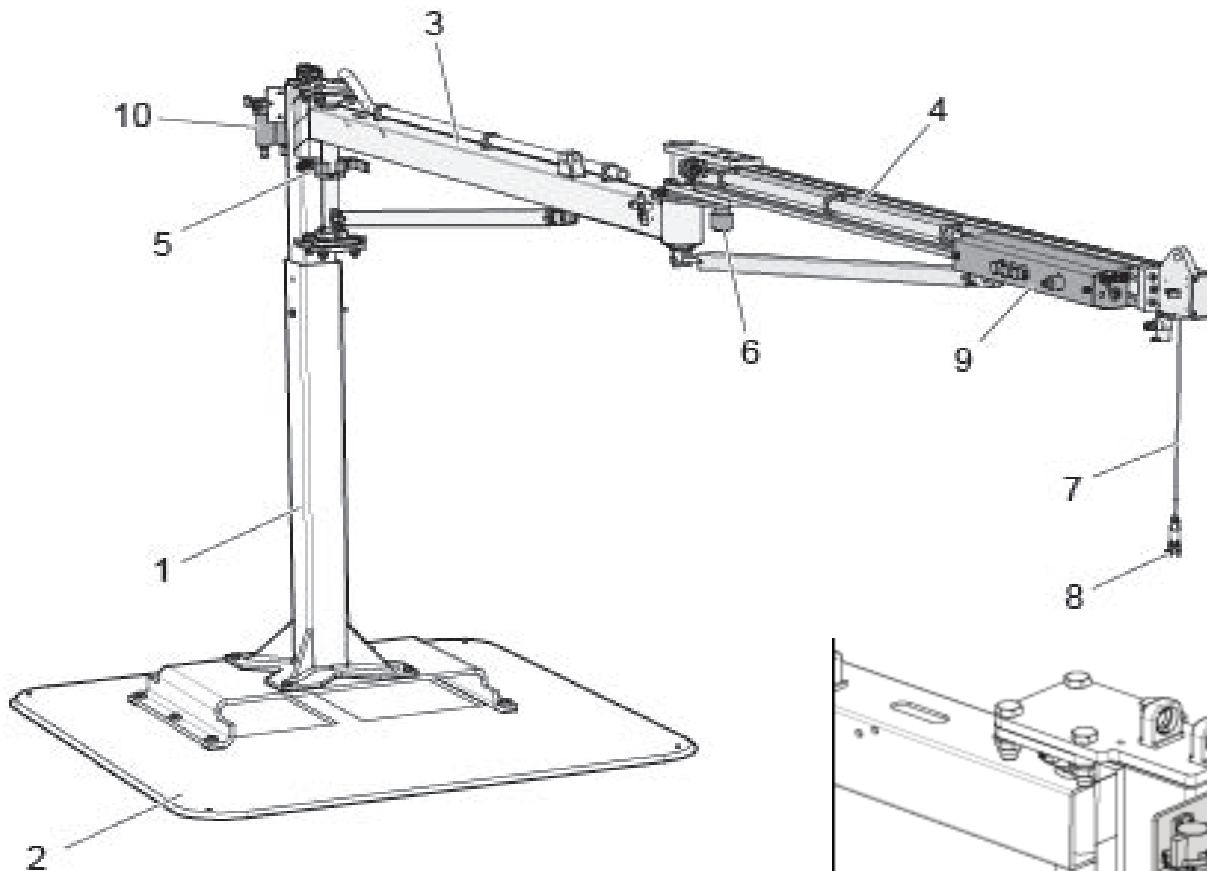
- Intuitive lifting sensation of loads up to 110 lbs
- Air supply to pneumatic gripping tool integrated in its crane arm
- Flexible and adaptable handling solution
- Anodized and maintenance-free surface
- Durable lifting wire that can be used up to 300,000 work cycles
- Several pneumatic configurations

Typical Applications:

- Lightweight lifting in assembly and manufacturing industries
- Material handling at conveyor lines

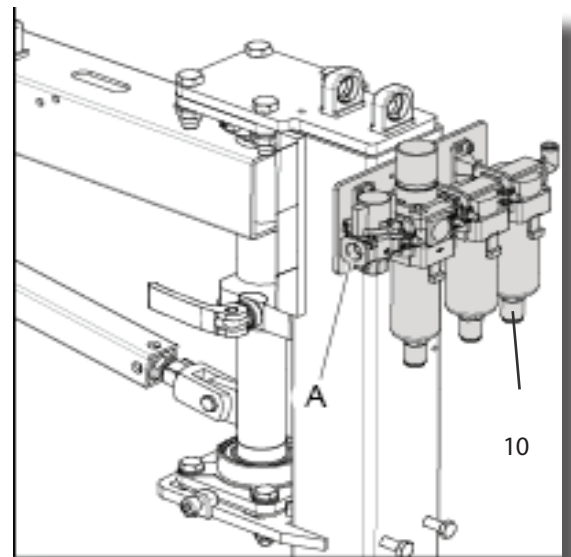


MECHLINE PRO CRANE™



Components

- | | |
|----------------------|------------------------------------|
| 1. Adjustable pillar | 6. Rotation limiter |
| 2. Mobile platform | 7. Lifting wire |
| 3. Inner arm | 8. Interface gripper tool (swivel) |
| 4. Outer arm | 9. Pneumatic cabinet |
| 5. Inner break | 10. Air preparation unit (FRL) |



A. Connection for compressed air to FRL unit (3/8")

General data

- | | |
|-----------------|-------------|
| Maximum load: | 110 lb |
| Lifting stroke: | 30 - 125 in |

Maximum load depends on crane model, weight category, and dead weight of the tool

VACUHAND PRO CRANE™

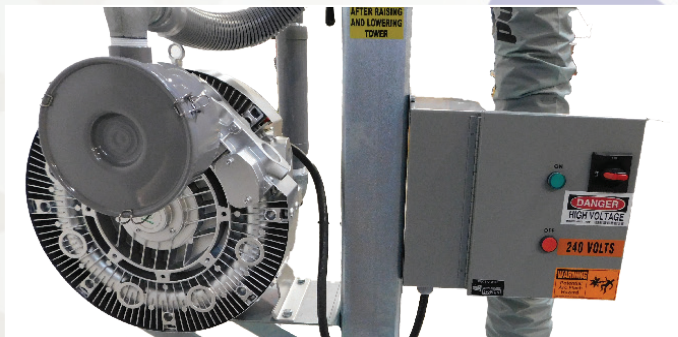
Hybrid version of our articulated jib crane

Vacuhand Pro Crane models come with:

- Vacuum pump and filter mounted on the vacuum pump platform
- Option for a motor starter disconnect panel
- Sound muffler included with vacuum pump
- 2" vacuum supply hose festooned along MOBI-Arm™
- Vacuhand V™ vacuum tube lifter is suspended at the end of MOBI-Arm™

There are a wide range of interchangeable suction feet to choose from. Common suction feet are used for bags, boxes and sheet goods of varying sizes. The choice really depends on your application needs. Custom options are also available.

Multiple mounting options are available. If you want mobility, we can mount the crane onto a floorplate which can be moved around via pallet jack or forklift. The crane can also be installed in various other ways such as directly to the floor, to the wall, or to an existing column.



Ron I reserves the right to change this information without further notice and holds no liability for printing errors in this content