

# LIFT-O-FLEX® *By* RonI

## 20500 HS (High Speed) Series Ergonomic Lifter



Powder Coated Paint Version Shown



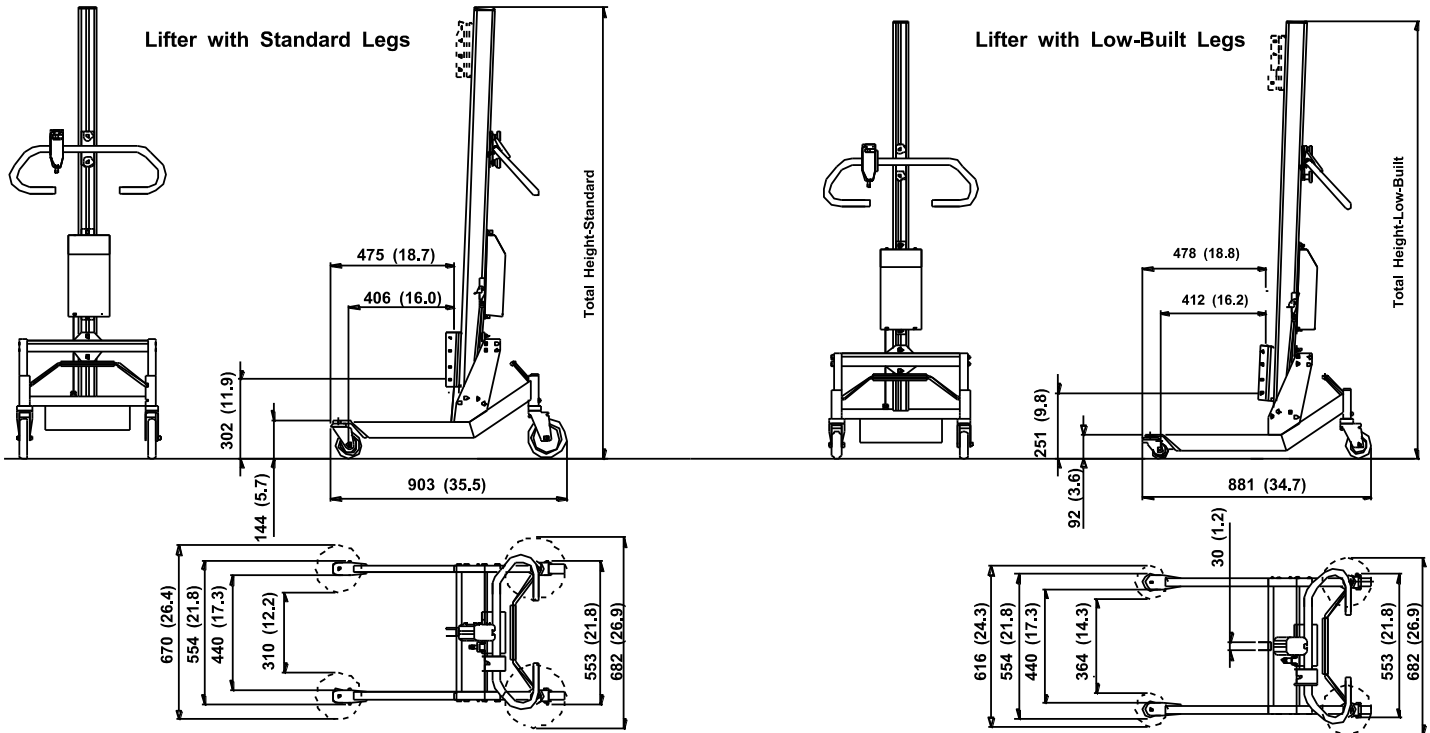
The 20500 HS (High Speed) Series LIFT-O-FLEX® ergonomic lifter offers dynamic load handling characteristics for mid-weight load capacities. The lifter has a capacity of 285-lbs. Lifter provides expanded flexibility in equipment selection to better fill your ergonomic lifting requirements.

The 20500 HS series lifters use many of the same basic lifter components as the 20300/20500 series. This allows for interchangeability between lifters permitting the customer to satisfy ergonomic lifter requirements while maintaining the ability to adapt the lifter to meet the challenge of meeting tomorrow's lifter needs today without incurring the cost of complete replacement.

#### Features and Benefits:

- Anodized Aluminum Profiles-
  - Intermediate Sections-Standard and custom lengths
  - Lift Masts
- Steel (Powder Coated Paint-Optional SS)
  - Legs-Bolted to Intermediate
  - Handlebar-height Adjustable
  - Power Pack Cover
- Standard and custom leg configurations and heights-  
Swivel and fixed casters
- Standard and custom length lift masts
- Foot operated 3 position central brake system on rear casters
  - Brake, freewheeling and center lock (trailing)
- Lift mast slip clutch on the down movement provides for safe load handling
- Current limiting (no limit switches) provide for load limiting and stops
- Totally enclosed lift mast w/ball screw for smooth up and down DC powered movement
- Electronic power pack can be provided with either standard or heavy-duty batteries
  - Power packs are also exchangeable allowing for multi-shift operation
- Detachable remote controller
  - Provides the operator with control over load handling functions.
- Handlebar is adjustable by the operators to achieve ergonomic operation

Contact RonI, Inc. or your local dealer for application specific information. Custom applications are available.



**NOTE: Custom Lift-O-Flex® solutions can be designed specifically for your application**

Technical Specification:		
Floor to top of Mast Standard Legs	Floor to top of Mast Low Built Legs	Lift Stroke
1732mm (68.1")	1681mm (66.1")	1192mm (45.67")
1982mm (78.0")	1931mm (76.0")	1442mm (55.5")
2232mm (87.8")	2181mm (85.8")	1692mm (65.35")
2432mm (95.7")	2381mm (93.7")	1892mm (73.2")
2730mm (107.5")	2679mm (105.5")	2159mm (85")
Minimum Lift Height	~40mm (~1.7")	
Lift-Speed	(5.2"/sec)	
Legs-Standard	Std Length 903mm (35.5")-Long 1103mm (43.5")	
Legs-Low Profile	Std Length 881mm (34.6")-Long 1081mm (42.5")	
Wheel Material	Polyurethane/Rubber	
Overall Length Standard/Low Profile	Std-904mm (35.5")/Low Profile 881mm (34.6")	
Wheel Diameter (Front/Back) Standard	100mm (3.9")/150mm (5.9")	
Wheel Diameter (Front/Back) Low built	60mm (2.3")/100mm (3.9")	
Width: Outside	Std-554mm (21.8") Wide 964mm (38")	
Noise level	>70dB(A)	
Maximum Load	130Kg (285-lbs)	
Lifter Weight w/o End-Effector	38Kg (84-lbs)	
Battery Type	Lead Gel Cell	
Battery Voltage	24V, 2 Amp	
Battery Capacity	12 AHr	
Recharge Time	6-8 Hours	
Lifter Finish	Powder Coated Paint/Anodized or Stainless Steel/Anodized	

Note: Dimensions are subject to change without notice.

Rev 10/15