



Save your form and email it to [info@roni.com](mailto:info@roni.com) or print and fax it to 704-847-6739

**QUOTATION TYPE**

Budgetary (project funding)

Firm (funded project)

**DATE**

**CUSTOMER INFORMATION**

Company Name

Street Address

City

State

Zip Code

Contact Name

Phone

E-Mail

Cell

**DRUM SPECIFICATIONS**

Outside Diameter

Minimum

Maximum

Height

Minimum

Maximum

Weight

Minimum

Maximum

Drum Type

Configuration

Equipment Usage

Hourly Cycles

Shifts per Day

Requirements

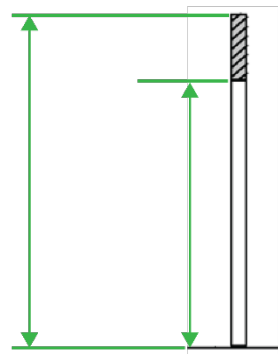
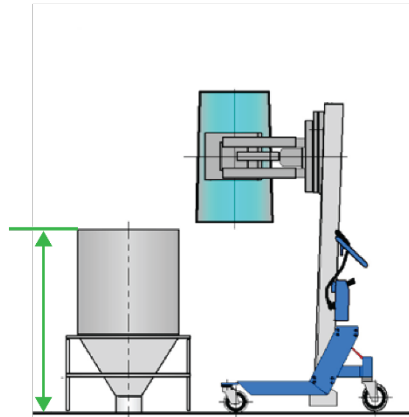
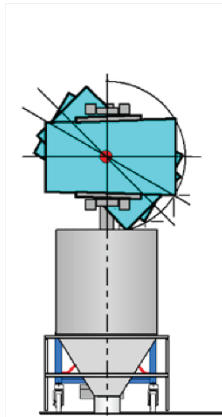
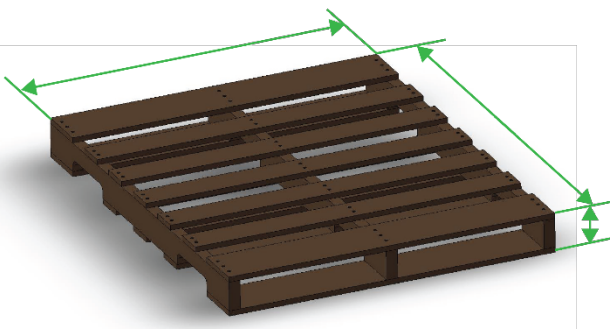
Environment

Lifter Finish



**NOTES**

**WIDTH      LENGTH      HEIGHT      POUR ANGLE      HOPPER      CEILING      DOOR**



Document ID 60002 R160915

+1.704.847.2464  
+1.866.843.8635

[info@roni.com](mailto:info@roni.com)  
[www.liftoflex.com](http://www.liftoflex.com)

8001 Tower Point Drive  
Charlotte, NC 28227

**QRF: DRUM HANDLING**