



Save your form and email it to info@roni.com or print and fax it to 704-847-6739

QUOTATION TYPE

Budgetary (project funding)

Firm (funded project)

DATE

CUSTOMER INFORMATION

Company Name

Street Address

City

State

Zip Code

Contact Name

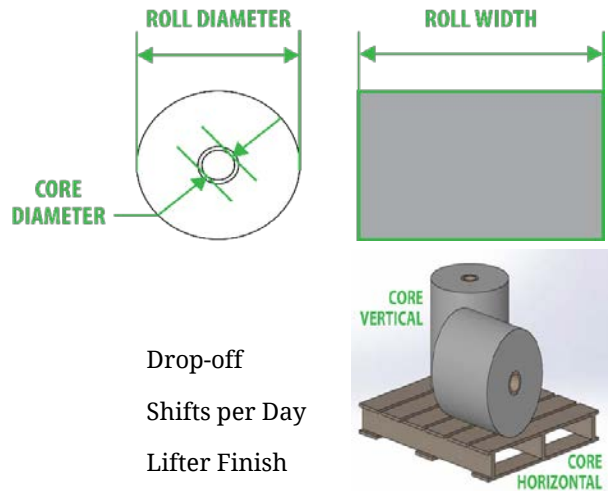
Phone

E-Mail

Cell

ROLL SPECIFICATIONS

Weight	Minimum	Maximum
Width	Minimum	Maximum
Diameter	Minimum	Maximum
What is the roll material?		Will it telescope?
Core diameter		Core material
Roll Orientation		Pickup
Equipment Usage		Cycles per Hour
Requirements		Environment



After roll is rotated to core horizontal, do you insert a shaft, or is it placed onto a spindle on the machine?

NOTES

WIDTH

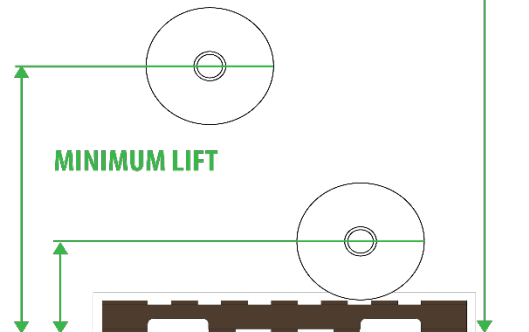
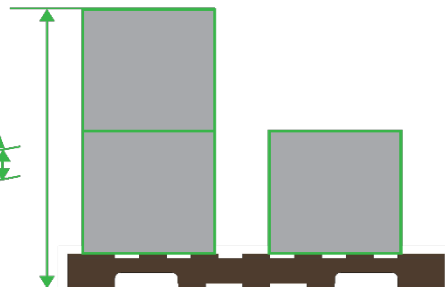
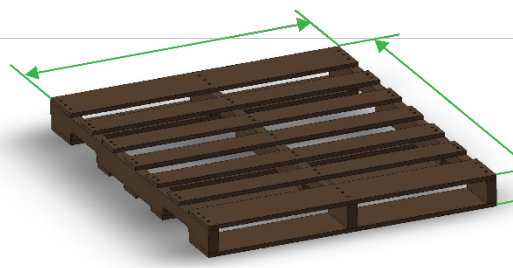
LENGTH

HEIGHT

MAXIMUM STACK HEIGHT

MAXIMUM LIFT

HEADROOM HEIGHT



Document ID 60001 R161128

+1.704.847.2464
+1.866.843.8635

info@roni.com
www.liftoflex.com

8001 Tower Point Drive
Charlotte, NC 28227

QRF: ROLL HANDLING